

General Description

These 2-way aluminum body valves meet the safety standards for commercial industrial and institutional kitchens set by the National Fire protection Association.

Paragraph 1023 in booklet NFPA #96 - "Ventilation of Cooking Equipment" states, "The operation of an extinguishing system shall automatically shut off all sources of fuel and heat to gas pilots. A manual operation shall be required to reestablish the fuel supply or heat supply."

Fluid

Fuel Gas

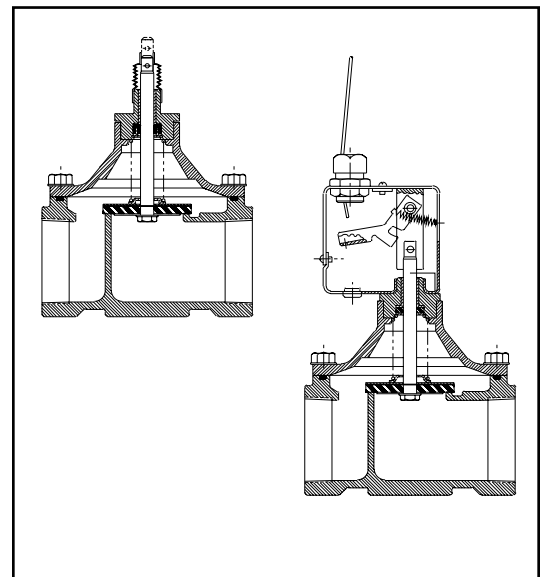
Construction

Valve Parts in Contact with Fluids	
Body	Aluminum
Seals and Disc	NBR
Core Tube	305 Stainless Steel
Core and Plugnut	430F Stainless Steel
Springs	302 Stainless Steel

Types of Operation

Series HV216-585 closes to shut off gas flow when the cable holding it in the open position is released. Catalog No. HV216-585 replaces HV160-265.

Series JV216-587 closes to shut off gas flow when the cable is pulled. Catalog No. JV216-587 replaces JV182-648



Approvals

UL Component listed, File No. MH-8849, Guide No. YRPV2; UL of Canada, File MH27283, Guide No. 167E49.

Specifications (English units)

Pipe Size (ins.)	Orifice Size (ins.)	Cv Flow Factor	Fluid & Ambient Temp. °F		Operating Pressure Differential (psi)		Catalog Numbers Cable Operation		Agency UL
			Min	Max.	Min	Max.	Release to Close	Pull to Close	
COMBUSTION (Fuel Gas) - Normally Closed									
1/2	3/4	5.2	32	132	0	5	HV216-585-8	JV216-587-1	○
3/4	3/4	6.5	32	132	0	5	HV216-585-1	JV216-587-2	○
1	1 5/8	23	32	132	0	5	HV216-585-2	JV216-587-3	○
1 1/4	1 5/8	34	32	132	0	5	HV216-585-3	JV216-587-4	○
1 1/2	1 5/8	38	32	132	0	5	HV216-585-4	JV216-587-5	○
2	2 3/32	54	32	132	0	5	HV216-585-5	JV216-587-6	○
2 1/2	3	110	32	132	0	5	HV216-585-6	JV216-587-7	○
3	3	138	32	132	0	5	HV216-585-7	JV216-587-8	○

○ = Safety Shutoff Valve. Safe working pressure 50 psi.

Specifications (Metric units)

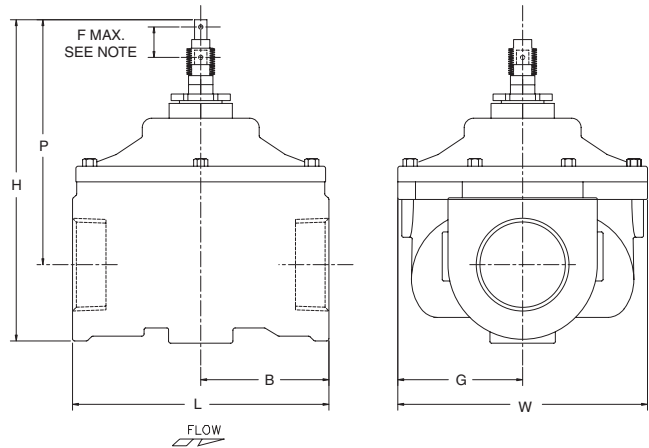
Pipe Size (ins.)	Orifice Size (mm)	Kv Flow (m³/hr)	Fluid & Ambient Temp. °C		Operating Pressure Differential (bar)		Catalog Numbers Cable Operation		Agency UL
			Min	Max.	Min	Max.	Release to Close	Pull to Close	
COMBUSTION (Fuel Gas) - Normally Closed									
1/2	19	4.5	0	56	0	0.3	HV216-585-8	JV216-587-1	○
3/4	19	5.6	0	56	0	0.3	HV216-585-1	JV216-587-2	○
1	41	21	0	56	0	0.3	HV216-585-2	JV216-587-3	○
1 1/4	41	29	0	56	0	0.3	HV216-585-3	JV216-587-4	○
1 1/2	41	33	0	56	0	0.3	HV216-585-4	JV216-587-5	○
2	53	46	0	56	0	0.3	HV216-585-5	JV216-587-6	○
2 1/2	76	96	0	56	0	0.3	HV216-585-6	JV216-587-7	○
3	76	119	0	56	0	0.3	HV216-585-7	JV216-587-8	○

○ = Safety Shutoff Valve. Safe working pressure 3.4 bar.

Dimensions inches (mm)

Catalog No.		B	F	G	H	L	P	W
HV216-585-8	ins.	1.37	0.19	1.14	4.37	2.75	3.81	2.45
	mm	35	5	29	111	70	97	62
HV216-585-1	ins.	1.66	0.19	1.14	4.81	3.31	4	2.45
	mm	42	5	29	122	84	102	62
HV216-585-2	ins.	2.37	0.53	2.69	7.16	5	5.84	5.38
	mm	60	13	68	182	127	148	137
HV216-585-3	ins.	2.37	0.53	2.69	7.16	5	5.84	5.38
	mm	60	13	68	182	127	148	137
HV216-585-4	ins.	2.37	0.53	2.69	7.16	5	5.8	5.38
	mm	60	13	68	182	127	147	137
HV216-585-5	ins.	2.81	0.61	3.16	7.75	6.1	6.25	6.31
	mm	71	15	80	197	155	159	160
HV216-585-6	ins.	3.9	0.9	4.12	9.95	7.8	7.62	7.95
	mm	99	23	105	253	198	194	202
HV216-585-7	ins.	3.89	0.9	4.12	9.95	7.78	7.62	7.95
	mm	99	23	105	253	198	194	202

Note: Max. is the full open position. Do not exceed as distortion of internal parts may result.



Catalog No.		B	G	H	L	P	W
JV216-587-1	ins.	1.37	1.14	6.56	2.75	6	2.36
	mm	35	29	167	70	152	60
JV216-587-2	ins.	1.66	1.16	7	3.31	6.19	2.34
	mm	42	29	178	84	157	59
JV216-587-3	ins.	2.38	2.69	8.81	5	7.5	5.38
	mm	60	68	224	127	191	137
JV216-587-4	ins.	2.38	2.69	8.81	5	7.5	5.38
	mm	60	68	224	127	191	137
JV216-587-5	ins.	2.38	2.69	8.81	5	7.56	5.38
	mm	60	68	224	127	192	137
JV216-587-6	ins.	2.81	3.16	9.53	6.1	8.03	6.31
	mm	72	80	242	155	204	160
JV216-587-7	ins.	3.9	4.13	11.4	7.8	9.06	7.9
	mm	99	105	290	198	230	201
JV216-587-8	ins.	3.9	4.13	11.4	7.8	9.06	7.9
	mm	99	105	290	198	230	201

